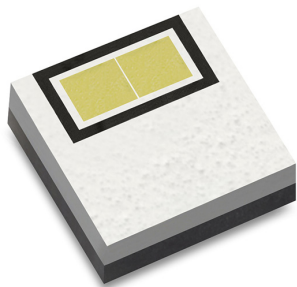




LUXEON Altilon Intense 1x2

Industry-leading solutions for compact high performance headlight systems



LUXEON Altilon Intense LEDs, with their miniaturized form factor, are designed to support low and high beam applications. The Lumileds automotive binning structure meets both SAE and ECE color specifications and is hot binned at 85°C, consistent with actual automotive operational environments. All LUXEON Altilon Intense LEDs are both IEC60810 and AEC-Q102 qualified.

FEATURES AND BENEFITS

Standard packaging for low cost and ease of manufacturability

Hot binned at 85°C MP to match closer to operating conditions

IEC/PAS 62707-1 White LED

PRIMARY APPLICATIONS

Adaptive Lighting

- ADB

- Matrix Beam

Headlight

- Low Beam

- High Beam

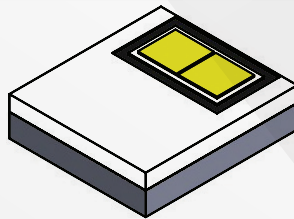
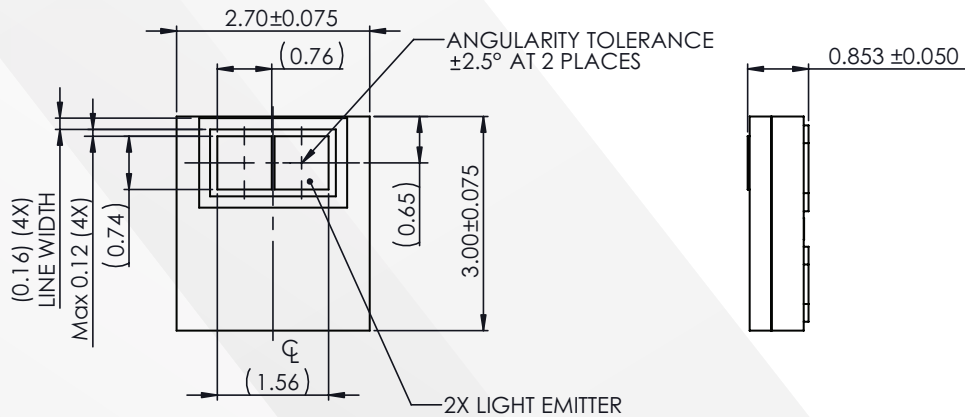
LUXEON Altilon Intense 1x2 Absolute Ratings.

PARAMETER	PERFORMANCE
Minimum DC Forward Current	50mA
Maximum DC Forward Current	1125mA
Maximum DC Forward Current 1000h max	1500mA
Maximum Junction Temperature ^[1]	150°C
Maximum Junction Temperature for Short Time Applications ^[1]	175°C
Operating Case Temperature at Test Current ^[1]	-40°C to 125°C
Operating Case Temperature at Maximum Current ^[1]	125°C
LED Storage Temperature	-40°C to 130°C
Soldering Temperature	JEDEC 020c 260°C
ESD Sensitivity ^[3]	±8kV HBM, ±2kV CDM, ±400V MM
Reverse Voltage ($V_{reverse}$)	LUXEON LEDs are not designed to be driven in reverse bias

Notes:

- Proper current derating must be observed to maintain junction temperature below the maximum allowable. LUXEON Altilon Intense 1x2 LEDs driven at or above maximum LED case temperature may have a shorter lifetime.
- Short time operations of less than 200 hours.
- Measured using human body model (per JEDEC22 A114), machine model (per JEDEC22 A115) and charged device model (per JEDEC22 C101).

Mechanical Dimensions.



TOLERANCES (UNLESS OTHERWISE SPECIFIED)

LINEAR:	ANGULAR:
XX: ±0.1mm	XX: ±2°30'
XX.X: ±0.05mm	XX.X: ±1'
XX.XX±0.025mm	XX.XX±0°30'

Notes:

- Drawings are not scale.
- All dimensions are in millimeters.

©2018 Lumileds Holding B.V. All rights reserved.
LUXEON is a registered trademark of the Lumileds
Holding B.V. in the United States and other countries.

lumileds.com

Neither Lumileds Holding B.V. nor its affiliates shall be liable for any kind of loss of data or any other damages, direct, indirect or consequential, resulting from the use of the provided information and data. Although Lumileds Holding B.V. and/or its affiliates have attempted to provide the most accurate information and data, the materials and services information and data are provided "as is," and neither Lumileds Holding B.V. nor its affiliates warrants or guarantees the contents and correctness of the provided information and data. Lumileds Holding B.V. and its affiliates reserve the right to make changes without notice. You as user agree to this disclaimer and user agreement with the download or use of the provided materials, information and data. A listing of Lumileds product/patent coverage may be accessed at lumileds.com/patents.