



LUXEON CoB with CrispWhite Technology (Gen 2)

Fashion retail lighting that makes an impact, revealing the whitest whites



The second generation of LUXEON CoB with CrispWhite Technology creates the most impactful retail lighting ever available, by revealing the whitest whites. LUXEON CoB with CrispWhite Technology delivers a natural crisp whiteness by activating Fluorescent Whitening Agents (FWAs) in paints and fabrics to attractively display merchandise in retail shops; ideal for CDM/CMH replacement.

FEATURES AND BENEFITS

Lumen packages from 500 to 5,000 lumens for a range of options

Industry's smallest Light Emitting Surface (LES) for highest flux densities

Up to 4x lower thermal resistance than competitors, enabling smaller heatsinks and higher lumens

Contains violet LEDs and does NOT contain UV LEDs for minimal amount of damage, much lower than any traditional CDM shop lighting

Mouse bites for M2 and M3 make it easy to work with

PRIMARY APPLICATIONS

Spotlights

Track Lights

Downlights

Retrofit Lamps



This light source is intended only for use in retail lighting and other lighting applications that require excitation of optical brighteners with UV or violet light.

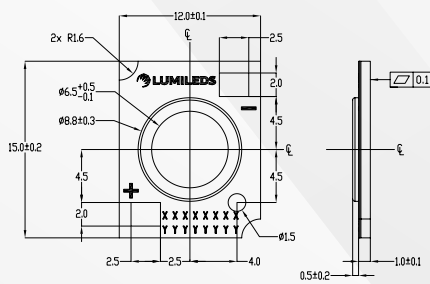
LUXEON CoB with CrispWhite Technology (Gen 2) product performance at specified test current, $T_j=85^\circ\text{C}$.

PRODUCT	NOMINAL CCT	MINIMUM CRI ^[1, 2]	LUMINOUS FLUX ^[1, 3] (lm)		TYPICAL LUMINOUS EFFICACY (lm/W)	TEST CURRENT (mA)	LES ^[4] (mm)	PART NUMBER
			MINIMUM	TYPICAL				
LUXEON CoB 1202s	3000K	90	586	651	93	200	6	L2C5-30901202E06C0
LUXEON CoB 1202	3000K	90	611	679	97	200	9	L2C5-30901202E09C0
LUXEON CoB 1203	3000K	90	905	1006	96	300	9	L2C5-30901203E09C0
		95	896	996	95			L2C5-30951203E09C0
LUXEON CoB 1204	3000K	90	1421	1579	99	450	13	L2C5-30901204E13C0
LUXEON CoB 1205	3000K	90	1941	2157	102	600	13	L2C5-30901205E13C0
		95	1930	2144	101			L2C5-30951205E13C0
LUXEON CoB 1208	3000K	90	2880	3200	101	900	15	L2C5-30901208E15C0
		95	2803	3114	99			L2C5-30951208E15C0
LUXEON CoB 1211	3000K	90	3959	4399	104	1200	19	L2C5-30901211E19C0
		95	3888	4320	102			L2C5-30951211E19C0

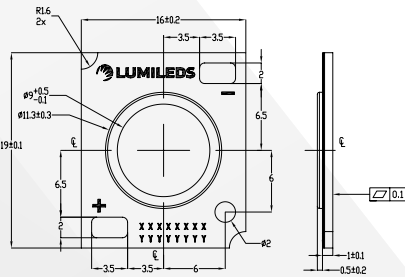
Notes:

1. Lumileds maintains a tolerance of ± 2 on CRI and $\pm 6.5\%$ on luminous flux measurements.
2. Typical CRI is approximately 2 points higher than the minimum CRI specified, but this is not guaranteed.
3. Maximum luminous flux is 10% above typical luminous flux.
4. Light Emitting Surface (LES) is the inner diameter (phosphor area) inside the dam.

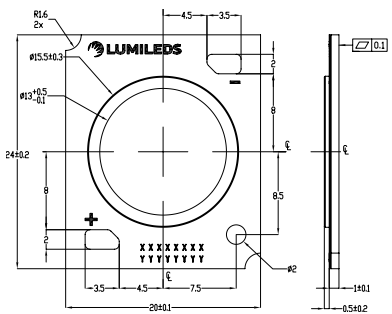
Mechanical Dimensions.



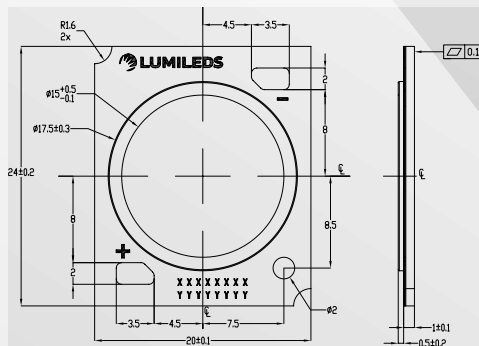
L2C5-309x1202E06C0



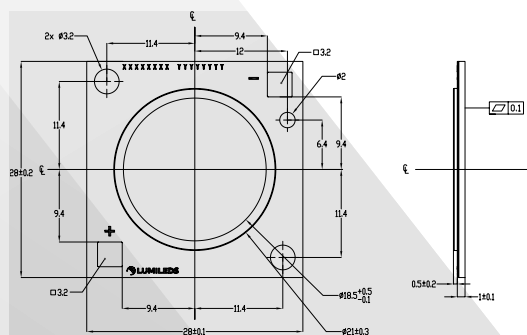
L2C5-309x1202E09C0,
L2C5-309x1203E09C0



L2C5-309x1204E13C0,
L2C5-309x1205E13C0



L2C5-309x1208E15C0



L2C5-309x1211E19C0

Notes:

1. Drawings are not scale.
2. All dimensions are in millimeters.

©2022 Lumileds Holding B.V. All rights reserved. LUXEON is a registered trademark of the Lumileds Holding B.V. in the United States and other countries.

lumileds.com

Neither Lumileds Holding B.V. nor its affiliates shall be liable for any kind of loss of data or any other damages, direct, indirect or consequential, resulting from the use of the provided information and data. Although Lumileds Holding B.V. and/or its affiliates have attempted to provide the most accurate information and data, the materials and services information and data are provided "as is," and neither Lumileds Holding B.V. nor its affiliates warrants or guarantees the contents and correctness of the provided information and data. Lumileds Holding B.V. and its affiliates reserve the right to make changes without notice. You as user agree to this disclaimer and user agreement with the download or use of the provided materials, information and data. A listing of Lumileds product/patent coverage may be accessed at lumileds.com/patents.